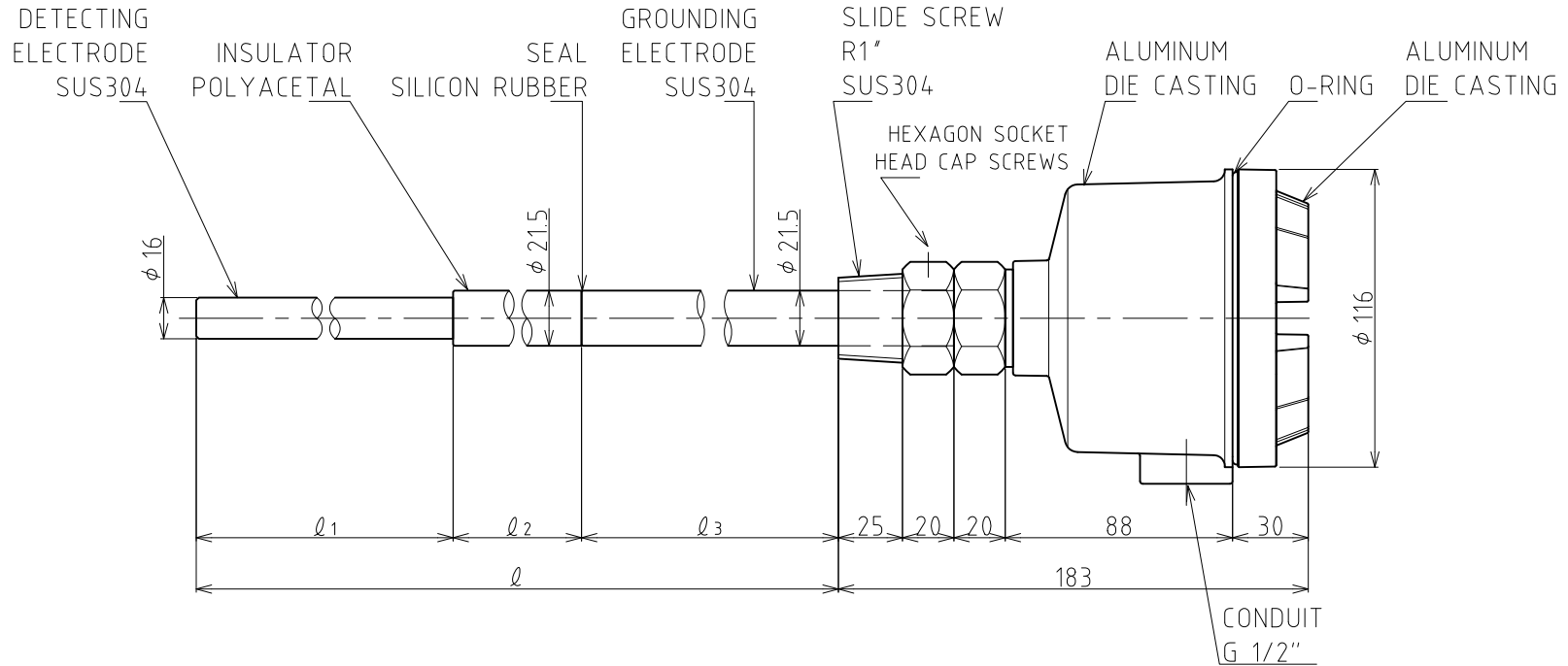
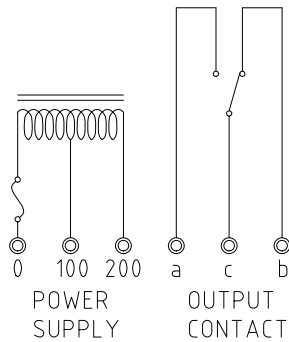


COLOR : 10YR7.5/14



RESISTANCE LOAD 3AMP 250V AC



|  | MODEL       | ℓ   | ℓ <sub>1</sub> | ℓ <sub>2</sub> | ℓ <sub>3</sub> | NOTE | Q'ty |  | MODEL       | ℓ    | ℓ <sub>1</sub> | ℓ <sub>2</sub> | ℓ <sub>3</sub> | NOTE | Q'ty |
|--|-------------|-----|----------------|----------------|----------------|------|------|--|-------------|------|----------------|----------------|----------------|------|------|
|  | CA-A3SA-025 | 250 | 100            | 50             | 100            |      |      |  | CA-A3SA-065 | 650  | 150            | 50             | 450            |      |      |
|  | CA-A3SA-030 | 300 | 100            | 50             | 150            |      |      |  | CA-A3SA-070 | 700  | 150            | 50             | 500            |      |      |
|  | CA-A3SA-035 | 350 | 100            | 50             | 200            |      |      |  | CA-A3SA-075 | 750  | 150            | 50             | 550            |      |      |
|  | CA-A3SA-040 | 400 | 100            | 50             | 250            |      |      |  | CA-A3SA-080 | 800  | 150            | 50             | 600            |      |      |
|  | CA-A3SA-045 | 450 | 100            | 50             | 300            |      |      |  | CA-A3SA-085 | 850  | 150            | 50             | 650            |      |      |
|  | CA-A3SA-050 | 500 | 100            | 50             | 350            |      |      |  | CA-A3SA-090 | 900  | 150            | 50             | 700            |      |      |
|  | CA-A3SA-055 | 550 | 150            | 50             | 350            |      |      |  | CA-A3SA-095 | 950  | 150            | 50             | 750            |      |      |
|  | CA-A3SA-060 | 600 | 150            | 50             | 400            |      |      |  | CA-A3SA-100 | 1000 | 150            | 50             | 800            |      |      |

○ (Required length)

○ (Required length)

Please tighten the HEXAGON SOCKET HEAD CAP SCREWS surely after deciding the installation position.

a reduced drawing (A3size~)

Q'ty:

|  |                                   |                 |                       |  |
|--|-----------------------------------|-----------------|-----------------------|--|
| 図曆 CHANGE NOTICE<br>承認 APPROVED<br>検図 CHECKED<br>製図 DRAWN<br>takahashi | 第三角法<br>THIRD ANGLE<br>PROJECTION | 尺度 SCALE<br>1:2 | 日付 DATE<br>Mar.7.2016 | 名称 TITLE<br>CA-A3SA-□ CAPACITANCE TYPE<br>LEVEL SENSOR |
|  |                                   |                 |                       | 東和制電工業株式会社<br>TOWA SEIDEN INDUSTRIAL CO., LTD.         |
| 図面番号<br>DRG. No. HE-3732   |                                   |                 |                       |  |