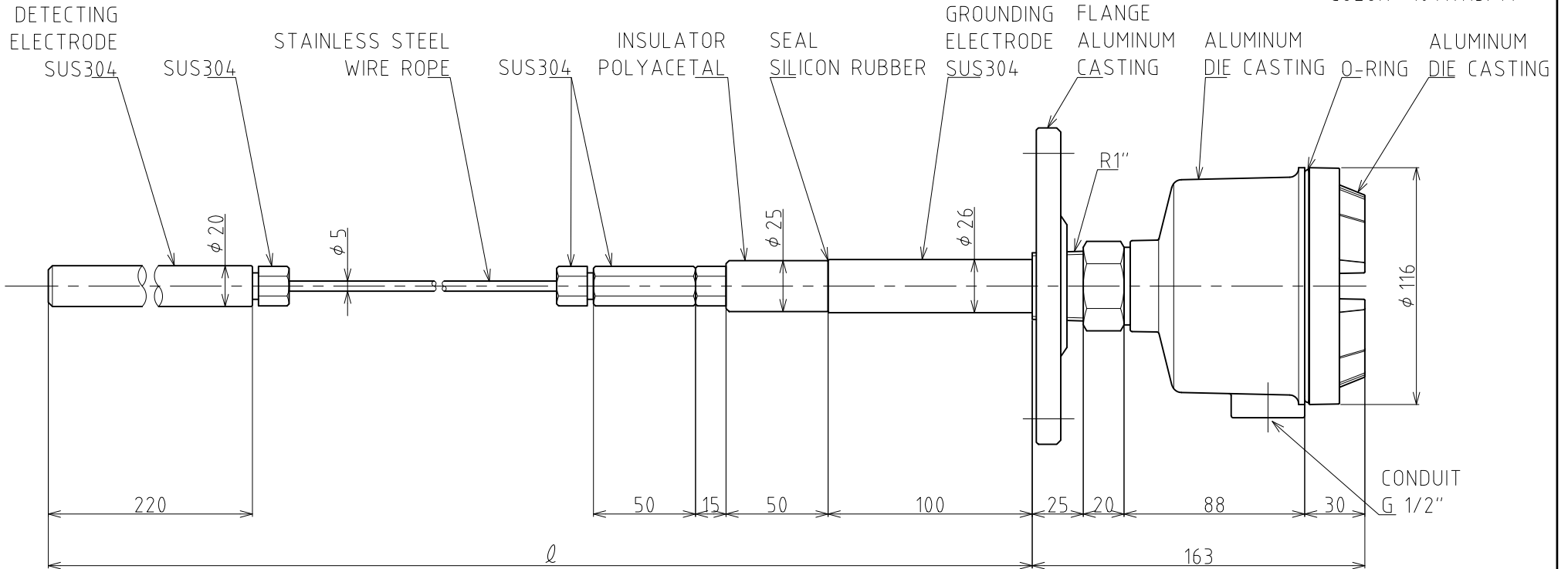
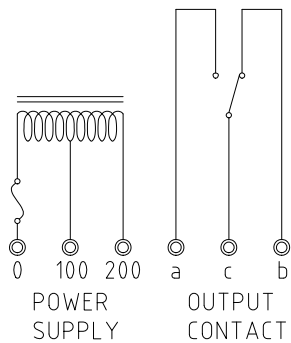


COLOR : 10YR7.5/14



RESISTANCE LOAD 3AMP 250V AC



FLANGE	JIS5K 65A
MATERIAL	ALUMINUM CASTING
OUTSIDE DIAMETER	φ 155
DIAMETER OF BOLT CIRCLE	φ 130
DIAMETER OF BOLT HOLES	φ 15
NUMBER OF BOLT HOLES	4
THICKNESS	12

MODEL	l	NOTE	Q'ty
CA-A4WA-100	1000		
CA-A4WA-200	2000		
CA-A4WA-300	3000		
CA-A4WA-400	4000		
CA-A4WA-500	5000		
CA-A4WA-600	6000		
CA-A4WA-700	7000		
CA-A4WA-800	8000		
CA-A4WA-900	9000		
CA-A4WA-A10	10000		

a reduced drawing (A3size~)

○ (Required length)

Q'ty:

図章 CHANGE NOTICE 承認 APPROVED 検図 CHECKED 製図 DRAWN takahashi 第三角法 THIRD ANGLE PROJECTION	尺度 SCALE 1:2	日付 DATE Mar.7.2016	名称 TITLE CA-A4WA-□ CAPACITANCE TYPE LEVEL SENSOR 図面番号 DRG. No. HE-3739
東和制電工業株式会社 TOWA SEIDEN INDUSTRIAL CO., LTD.			