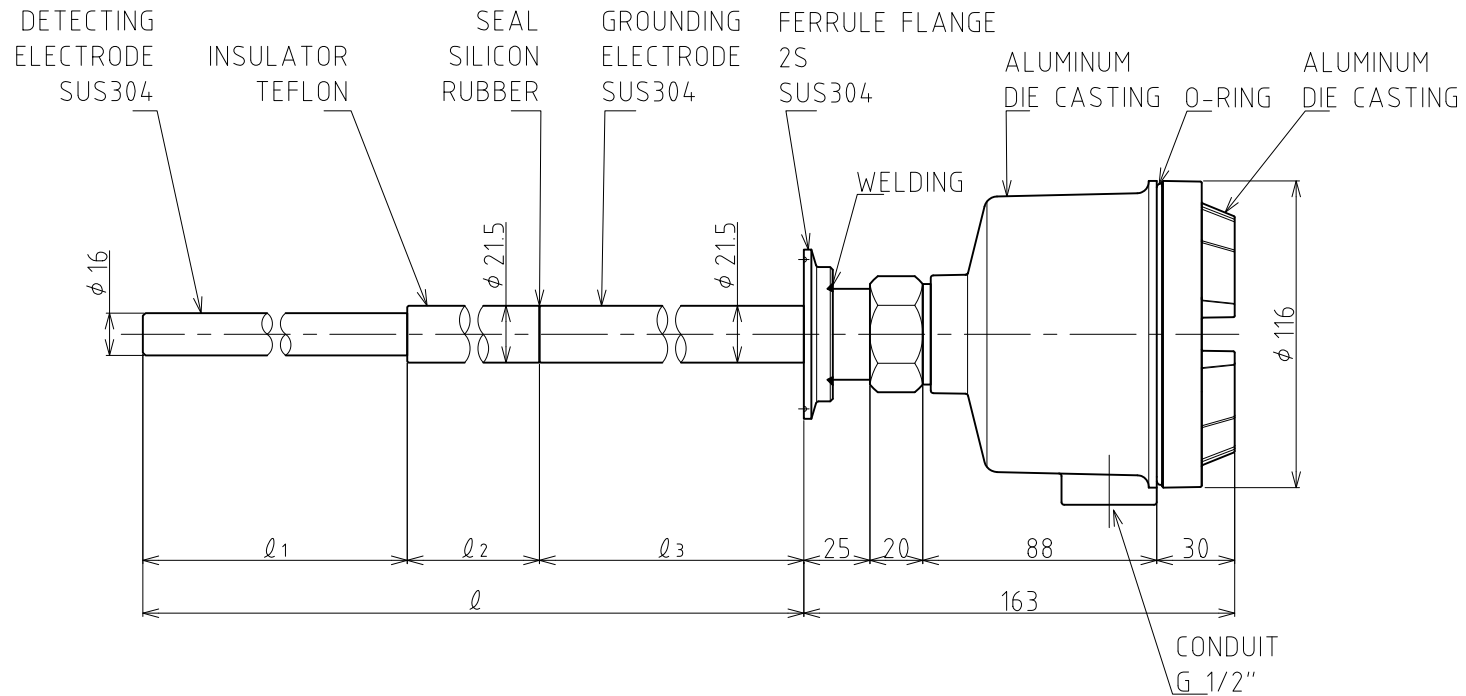
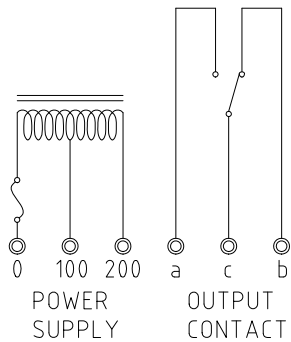


COLOR : 10YR7.5/14



RESISTANCE LOAD 3AMP 250V AC



	MODEL	ℓ	ℓ ₁	ℓ ₂	ℓ ₃	NOTE	Q'ty		MODEL	ℓ	ℓ ₁	ℓ ₂	ℓ ₃	NOTE	Q'ty
	CA-A5SA-025	250	100	50	100				CA-A5SA-065	650	150	50	450		
	CA-A5SA-030	300	100	50	150				CA-A5SA-070	700	150	50	500		
	CA-A5SA-035	350	100	50	200				CA-A5SA-075	750	150	50	550		
	CA-A5SA-040	400	100	50	250				CA-A5SA-080	800	150	50	600		
	CA-A5SA-045	450	100	50	300				CA-A5SA-085	850	150	50	650		
	CA-A5SA-050	500	100	50	350				CA-A5SA-090	900	150	50	700		
	CA-A5SA-055	550	150	50	350				CA-A5SA-095	950	150	50	750		
	CA-A5SA-060	600	150	50	400				CA-A5SA-100	1000	150	50	800		

○ (Required length)

○ (Required length)

a reduced drawing (A3size~)

Q'ty:

図章 CHANGE NOTICE	承認 APPROVED	検図 CHECKED	製図 DRAWN takahashi	名称 TITLE CA-A5SA-□ CAPACITANCE TYPE LEVEL SENSOR
	第三角法 THIRD ANGLE PROJECTION	尺度 SCALE 1:2	日付 DATE Mar.7.2016	図面番号 DRG. No. HE-3734
			東和制電工業株式会社 TOWA SEIDEN INDUSTRIAL CO., LTD.	