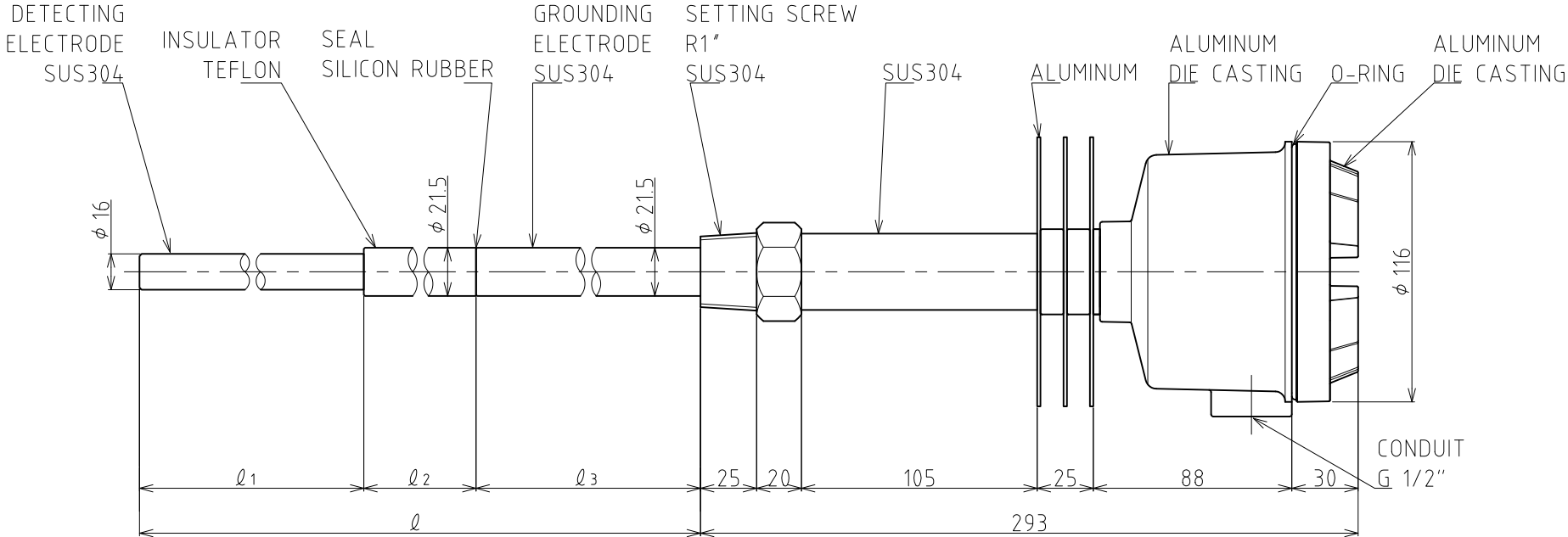
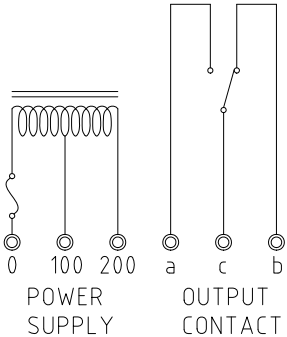


COLOR : 10YR7.5/14



RESISTANCE LOAD 3AMP 250V AC



MODEL	ℓ	ℓ ₁	ℓ ₂	ℓ ₃	NOTE	Q'ty	MODEL	ℓ	ℓ ₁	ℓ ₂	ℓ ₃	NOTE	Q'ty
CA-C1SA-025	250	100	50	100			CA-C1SA-065	650	150	50	450		
CA-C1SA-030	300	100	50	150			CA-C1SA-070	700	150	50	500		
CA-C1SA-035	350	100	50	200			CA-C1SA-075	750	150	50	550		
CA-C1SA-040	400	100	50	250			CA-C1SA-080	800	150	50	600		
CA-C1SA-045	450	100	50	300			CA-C1SA-085	850	150	50	650		
CA-C1SA-050	500	100	50	350			CA-C1SA-090	900	150	50	700		
CA-C1SA-055	550	150	50	350			CA-C1SA-095	950	150	50	750		
CA-C1SA-060	600	150	50	400			CA-C1SA-100	1000	150	50	800		

○ (Required length)

○ (Required length)

a reduced drawing (A3size~)

Q'ty:

<input type="checkbox"/> 変更 CHANGE NOTICE <input type="checkbox"/> 承認 APPROVED <input type="checkbox"/> 検図 CHECKED <input type="checkbox"/> 製図 DRAWN takahashi	温度 IN THE TANK: max.200°C 名称 TITLE CA-C1SA-□ CAPACITANCE TYPE LEVEL SENSOR
第三角法 THIRD ANGLE PROJECTION 尺度 SCALE 1:2 日付 DATE Mar.7.2016	東和制電工業株式会社 TOWA SEIDEN INDUSTRIAL CO., LTD. 図面番号 DRG. No. HE-3737