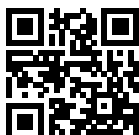


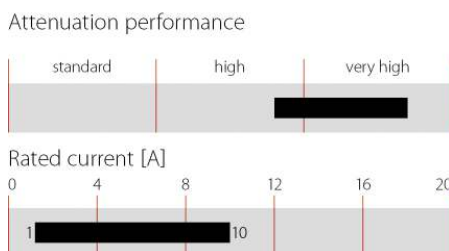
# Ultra Compact and Versatile Filtered Power Entry Module



- Dual stage filter
- Ultra compact design
- Rated currents up to 10 A
- Dual fuse holder
- 2-pole rocker switch
- Good attenuation performance
- Faston or spring cage terminals



## Performance indicators



## Approvals



(CQC except HI-types; Patent US20110227692 / US8766761)

Choosing FN 9280/90 product line brings you the rapid availability of a standard filter associated with the necessary safety acceptances and a high attenuation performance. For higher attenuation performance the FN 9290 family with a dual stage filter and identical panel cut-out can be used.

Standard IEC connector filters are a practical solution to pass EMI system approval in a short time. A wide selection of amperage ratings, mounting possibilities and also filters for medical applications are designed to offer you the best solution.

## Features and benefits

- Good conducted attenuation performance, based on chokes with high saturation resistance and excellent thermal behavior
- Deep-drawn iron-sheet housing for best possible shielding against magnetic fields
- Rear/front flange mounting or snap-in versions
- Dual fuse holder
- 2-pole rocker switch
- Faston or spring cage terminals for more flexible assembly
- Medical version (B Type) according IEC / EN60601-1
- Spare fuse holder

## Typical applications

- Portable electrical and electronic equipment
- Consumer goods
- EDP and office equipment
- Single-phase power supplies, switch-mode power supplies
- Test and measurement equipment
- Medical electrical devices (MD) and *In-Vitro* Diagnostics (IVD) equipment

## Technical specifications

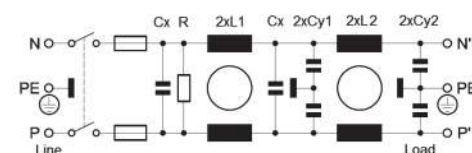
<b>Design corresponding to</b>	UL 1283, CSA 22.2 No. 8 1986, EN60939, EN60950, EN60601-1, UL544, EN60320
<b>Electrical specifications</b>	Inrush current 82 A 6,000 on-off operations according to UL 1054 10,000 on-off operations according to ENEC
<b>Flammability corresponding to</b>	UL 94 V-2 or better
<b>Fuse holder</b>	2fuses (Ø5 x 20 mm) max. 250 V
<b>High potential test voltage</b>	P → PE 2000 VAC for 2 sec (standard types) P → N 760 VAC for 2 sec P → PE 2500 VAC for 2 sec (B types)
<b>Leakage current</b>	Standard: <500uA at 250 VAC/50 Hz Medical: <5uA at 250 VAC/50 Hz
<b>Maximum continuous operating voltage</b>	250 VAC, 50/60 Hz
<b>Mechanical life</b>	50,000 cycles
<b>MTBF @ 40°C/230V (Mil-HB-217F)</b>	> 1,000,000 hours
<b>Operating frequency</b>	50 to 400 Hz
<b>Protection category</b>	IP40 according to IEC 60529 (front side)
<b>Rated currents</b>	1 to 10 A* @ 40°C max.
<b>Rocker switch</b>	2-pole, dark not illuminated, Marking I - 0
<b>Spring cage wire range</b>	0.2 – 1.5 mm <sup>2</sup> / 24 – 16 AWG single or flexible wire
<b>Switch ratings</b>	
<b>USA (UL) and Canada (C-UL)</b>	10 A, 125 VAC; 10A, 250 VAC; 1/3HP
<b>Europe (ENEC)</b>	10 A (4 A), 250 VAC**
<b>Temperature range (operation and storage)</b>	– 25 °C to +85 °C (25/85/21)
<b>Terminals</b>	IP20 spring cage safe against finger touch

\* 10 A version is 8 A UL and CSA approved

\*\* Value in () relates to the inductive current charge: cos γ = 0.65

## Typical electrical schematic

FN 9290 Standard types (B types without Cy)



## Filter selection table

Filter*	Rated current	Leakage current** @ 250 V ~/50 Hz	Inductance		Capacitance			Resistance R	Output connections		Weight [g]
	@ 40 °C		L1	L2	Cx	Cy1	Cy2		-06	-100	
	[A]										
FN 9290-1-..	1	311	10.9	10.9	220	1.5	0.47	1000	-06	-100	147
FN 9290-2-..	2	311	4.4	4.4	220	1.5	0.47	1000	-06	-100	148
FN 9290-4-..	4	311	1.7	1.7	220	1.5	0.47	1000	-06	-100	148
FN 9290-6-..	6	311	0.78	0.78	220	1.5	0.47	1000	-06	-100	153
FN 9290-10-..	10	311	0.32	0.32	220	1.5	0.47	1000	-06	-100	154
FN 9290B-1-..	1	2	10.9	10.9	220	0	0	1000	-06	-100	147
FN 9290B-2-..	2	2	4.4	4.4	220	0	0	1000	-06	-100	148
FN 9290B-4-..	4	2	1.7	1.7	220	0	0	1000	-06	-100	148
FN 9290B-6-..	6	2	0.78	0.78	220	0	0	1000	-06	-100	153
FN 9290B-10-..	10	2	0.32	0.32	220	0	0	1000	-06	-100	154
FN 9299-1-..	1	311	10.9	10.9	220	1.5	0.47	1000	-06	-100	147
FN 9299-2-..	2	311	4.4	4.4	220	1.5	0.47	1000	-06	-100	148
FN 9299-4-..	4	311	1.7	1.7	220	1.5	0.47	1000	-06	-100	148
FN 9299-6-..	6	311	0.78	0.78	220	1.5	0.47	1000	-06	-100	153
FN 9299-10-..	10	311	0.32	0.32	220	1.5	0.47	1000	-06	-100	154
FN 9299B-1-..	1	2	10.9	10.9	220	0	0	1000	-06	-100	147
FN 9299B-2-..	2	2	4.4	4.4	220	0	0	1000	-06	-100	148
FN 9299B-4-..	4	2	1.7	1.7	220	0	0	1000	-06	-100	148
FN 9299B-6-..	6	2	0.78	0.78	220	0	0	1000	-06	-100	153
FN 9299B-10-..	10	2	0.32	0.32	220	0	0	1000	-06	-100	154

\* To compile a complete part number, please replace the .. with the required output connection style (e.g. FN 9289-1-06, FN 9282-4-100)

\*\* Maximum leakage current under normal conditions according to IEC 60939-1 Ed. 3 at 250 V AC.

## Product selector:

FN 92www-xx-yy-zz

Blank: Snap in range 1.0 to 2.5 mm  
Optional: 30: Snap in range >2.5 to 3.5 mm

06: Fast-On 6.3 x 0.8 mm (spade/soldering)  
100: Spring cage

1 to 10: Rated current [A]

Blank: Standard version  
B: Medical version (without Y2-capacitor)  
Optional: B: Medical version (without YZ-capacitor)

0: Flange version vertical/horizontal/front/rear mounting set  
9: Snap-in version, snapper on horizontal side (top / bottom)  
Optional: 1: Rear Flange mounting (top / bottom)  
2: Front Flange mounting (top / bottom)  
3: Rear Flange mounting (left / right)  
4: Front Flange mounting (left / right)  
8: Snap-in version, snapper on vertical side (left / right)

9: Dual stage filter

All FN 9280/FN 9290 are equipped with a dual fuse holder with a spare fuse holder.

**Note: All FN 9280/FN 9280B/FN 9289/FN 9289B/FN 9290/FN 9290B/FN 9299/FN 9299B are stock types from our distribution partners.**

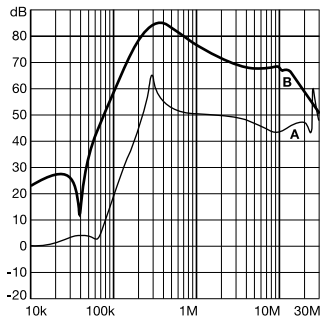
Order Examples:

FN 9280B-6-100: Medical version of single stage, dual fuse EMC/EMI filter, flange set for vertical/horizontal/front/rear mounting, 6 A, spring cage terminals, from stock available.

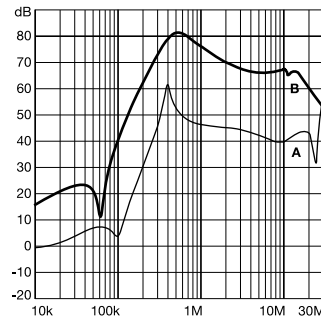
FN 9298-6-06-30: Dual stage, dual fuse EMC/EMI filter, snap-in version, snappers for snap-in panel thickness range >2.5 to 3.5 mm, snapper on vertical side, 6 A, fast-on terminals, non-stock order type

**FN 9290 Series | Typical filter attenuation** | Per CISPR 17; A = 50 Ω/50 Ω sym; B = 50 Ω/50 Ω asym

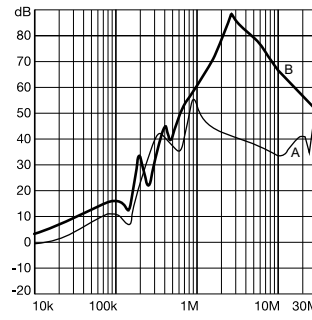
1 A types



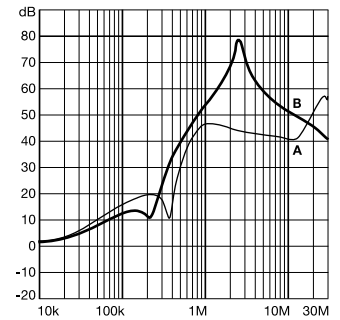
2 A types



4 – 6 A types

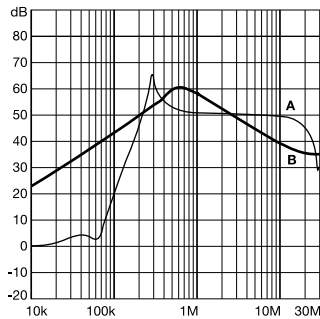


10 A types

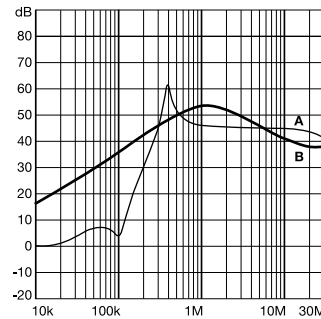


**FN 9290B Series | Typical filter attenuation** | Per CISPR 17; A = 50 Ω/50 Ω sym; B = 50 Ω/50 Ω asym

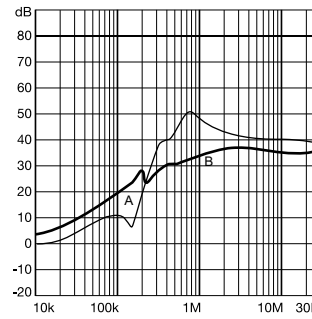
1 A types



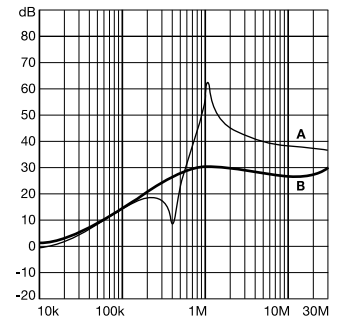
2 A types



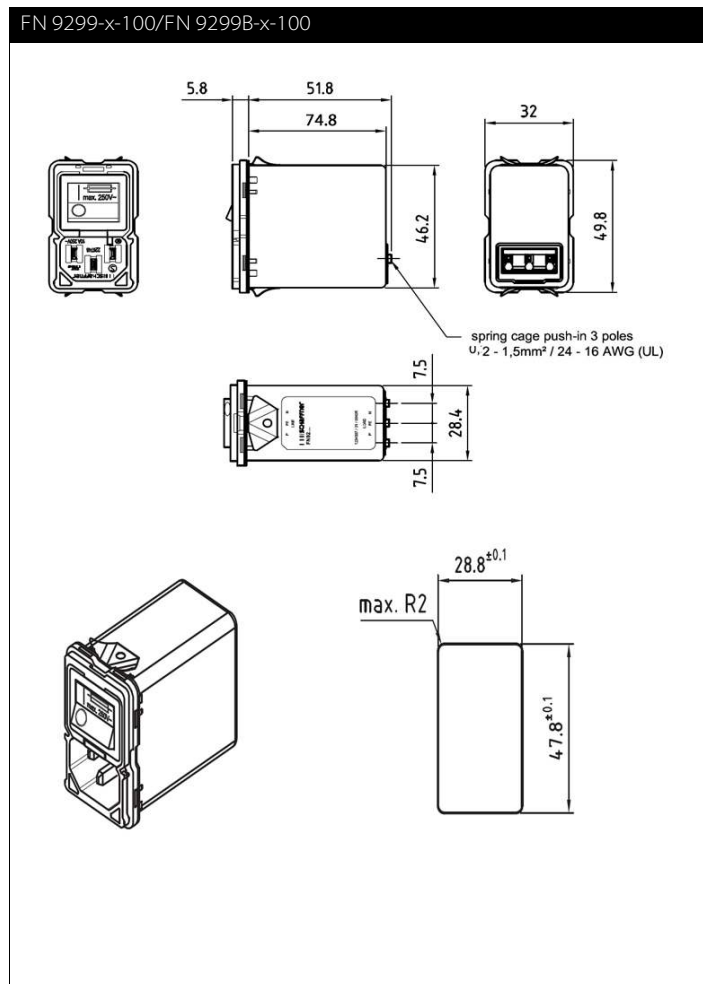
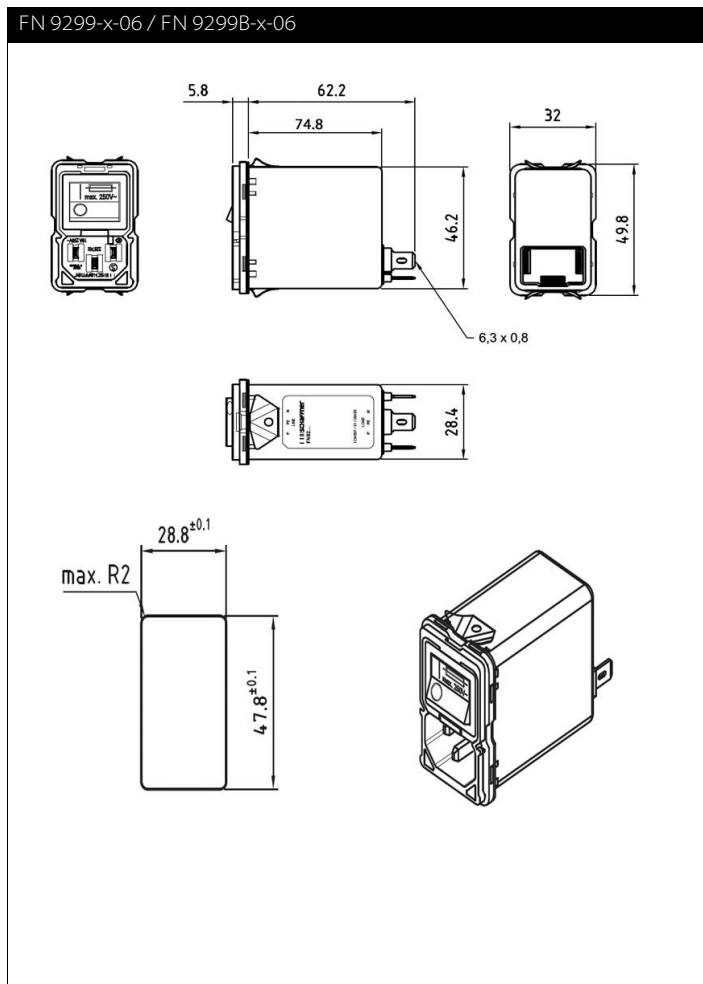
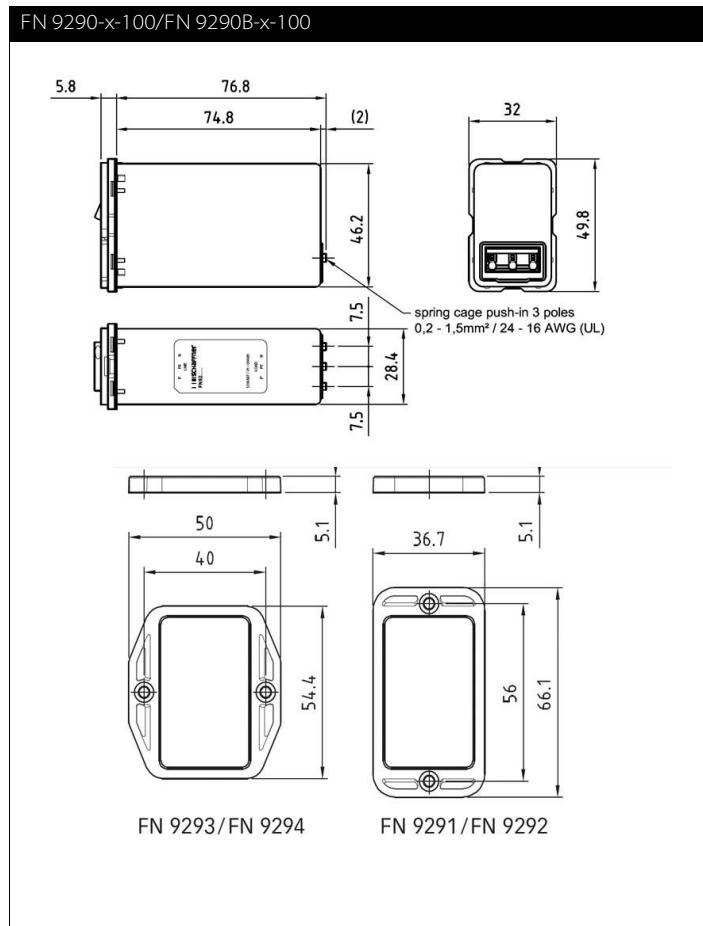
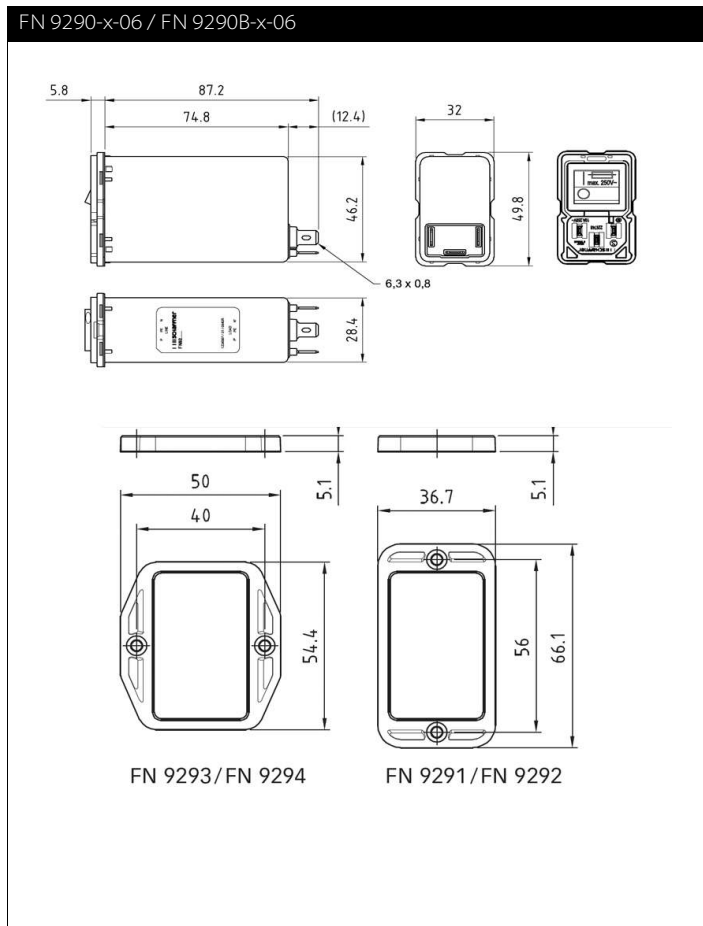
4 – 6 A types



10 A types



**Mechanical Data:**



Assembly Instructions

### REAR MOUNTING

**vertical:**

**Cutout:**

**Assembly:**

torque: 0,4Nm  
Recommended screw:  
Panhead tapping screw d x l 3,9 x 9,5 mm

**horizontal:**

**Cutout:**

**Assembly:**

### FRONT MOUNTING

**vertical:**

thickness 1 panel

**Cutout:**

**Assembly:**

Recommended screw:  
Countersunk screw M3X14 DIN963A

**horizontal:**

thickness 3 panel

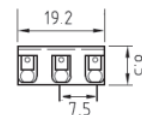
**Cutout:**

**Assembly:**

countersunk screw  
and (pressed in) nut M3  
torque: 0,5Nm

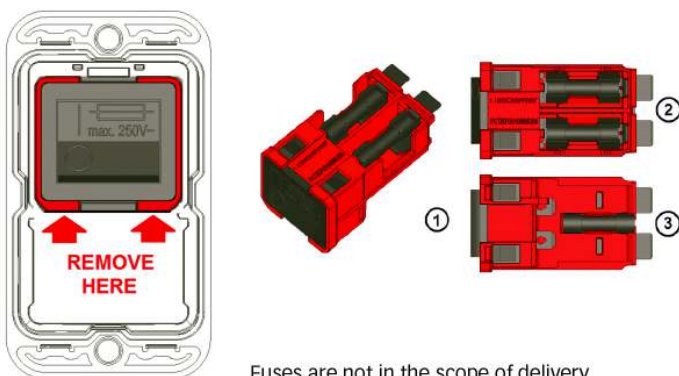
**Terminal -100**

clamping range, solid wire / flex wire	0,20 mm <sup>2</sup> – 1,5 mm <sup>2</sup> , AWG24 – AWG16
operating force of slider	max. 40 N
recommended stripped length	8 mm



Push the knob above the terminal to insert the wire.

**Removal of the combined switch / fuse holder unit**



Fuses are not in the scope of delivery.

An additional fuse mark on the switch indicates the fuses holders behind the switch. The red frame shows the outline of the removable unit.

With a simple tool like a Swiss Army knife or a screwdriver No 1 or smaller the unit (1) can be removed from the filter. On the topside (2) behind the switch there are two fuse holders for each live connection. On the bottom side (3) is a clip to carry an additional spare fuse.



## Headquarters, global innovation and development center

### Switzerland

#### Schaffner Group

Nordstrasse 11  
4542 Luterbach  
T +41 32 6816 626  
F +41 32 6816 630  
[info@schaffner.com](mailto:info@schaffner.com)  
<http://www.schaffner.com>



## Sales and application centers

### China

#### Schaffner EMC Ltd. Shanghai

T20-3, No 565 Chuangye Road  
Pudong New Area  
201201 Shanghai  
T +86 21 3813 9500  
F +86 21 3813 9501 / 02  
[cschina@schaffner.com](mailto:cschina@schaffner.com)  
<http://www.schaffner.com.cn/>

### Finland

#### Schaffner Oy

Sauvonrinne 19 H  
08500 Lohja  
T +358 19 35 72 71  
[finlandsales@schaffner.com](mailto:finlandsales@schaffner.com)

### France

#### Schaffner EMC S.A.S.

112 Quai de Bezons  
Boîte postale 133  
95100 Argenteuil  
T +33 1 34 34 30 60  
F +33 1 39 47 02 28  
[francesales@schaffner.com](mailto:francesales@schaffner.com)

### Germany

#### Schaffner Deutschland GmbH

Schoemperlenstrasse 12B  
76185 Karlsruhe  
T +49 721 56910  
F +49 721 569110  
[germanysales@schaffner.com](mailto:germanysales@schaffner.com)

### Italy

#### Schaffner EMC S.r.l.

Via Galileo Galilei 47  
20092 Cinisello Balsamo (MI)  
T +39 02 66 04 30 45 /47  
F +39 02 61 23 943  
[italysales@schaffner.com](mailto:italysales@schaffner.com)

### Japan

#### Schaffner EMC K.K.

1-32-12, Kamiyama, Setagaya-ku  
7F Mitsui-seimei Sangenjaya Bldg.  
154-0011 Tokyo  
T +81 3 5712 3650  
F +81 3 5712 3651  
[japansales@schaffner.com](mailto:japansales@schaffner.com)  
<http://www.schaffner.jp>

### Singapore

#### Schaffner EMC Pte Ltd.

Blk 3015A Ubi Road 1  
05-09 Kampong Ubi Industrial Estate  
408705 Singapore  
T +65 6377 3283  
F +65 6377 3281  
[singaporesales@schaffner.com](mailto:singaporesales@schaffner.com)

### Spain

#### Schaffner EMC España

Calle Caléndula 93, Miniparc III, Edificio E,  
Alcobendas  
Miniparc III, Edificio E  
El Soto de la Moraleja  
Alcobendas  
28109 Madrid  
M +34 618 176 133  
T +34 917 912 900  
F +34 917 912 901  
[spainsales@schaffner.com](mailto:spainsales@schaffner.com)

### Sweden

#### Schaffner EMC AB

Turebergstorg 1, 6  
19147 Sollentuna  
T +46 8 5792 1121 / 22  
F +46 8 92 96 90  
[swedensales@schaffner.com](mailto:swedensales@schaffner.com)

### Switzerland

#### Schaffner EMV AG

Nordstrasse 11  
4542 Luterbach  
T +41 32 681 66 26  
F +41 32 681 66 41  
[switzerlandsales@schaffner.com](mailto:switzerlandsales@schaffner.com)

### Taiwan R.O.C.

#### Schaffner EMV Ltd.

6 Floor, No. 413  
114 Neihu District Taipei City  
T +886 2 87525050  
F +886 2 87518086  
[taiwansales@schaffner.com](mailto:taiwansales@schaffner.com)

### Thailand

#### Schaffner EMC Co. Ltd.

Northern Region Industrial Estate  
67 Moo 4 Tambon Ban Klang  
Amphur Muangng P.O. Box 14  
51000 Lamphun  
T +66 53 58 11 04  
F +66 53 58 10 19  
[thailandsales@schaffner.com](mailto:thailandsales@schaffner.com)

### UK

#### Schaffner Ltd.

Wokingham  
RG41 2PL Berkshire  
T +44 118 9770070  
F +44 118 9792969  
[uksales@schaffner.com](mailto:uksales@schaffner.com)  
<http://www.schaffner.uk.com>

### USA

#### Schaffner EMC Inc.

52 Mayfield Avenue  
08837 Edison, New Jersey  
T +1 800 367 5566  
T +1 732 225 9533  
F +1 732 225 4789  
[usasales@schaffner.com](mailto:usasales@schaffner.com)  
<http://www.schaffner.com/us>

#### Schaffner MTC LLC

6722 Thirlane Road  
24019 Roanoke, Virginia  
T +1 276 228 7943  
F +1 276 228 7953  
<http://www.schaffner-mtc.com>

#### Schaffner Trencos LLC

2550 Brookpark Road  
44134 Cleveland, Ohio  
T +1 216 741 5282  
F +1 216 741 4860  
<http://schaffner-trencos.com>

To find your local partner within Schaffner's global network: [www.schaffner.com](http://www.schaffner.com)

© 2015 Schaffner Group

The content of this document has been carefully checked and understood. However, neither Schaffner nor its subsidiaries assume any liability whatsoever for any errors or inaccuracies of this document and the consequences thereof. Published specifications are subject to change without notice. Product suitability for any area of application must ultimately be determined by the customer. In all cases, products must never be operated outside their published specifications. Schaffner does not guarantee the availability of all published products. This disclaimer shall be governed by substantive Swiss law and resulting disputes shall be settled by the courts at the place of business of Schaffner Holding AG. Latest publications and a complete disclaimer can be downloaded from the Schaffner website. All trademarks recognized.